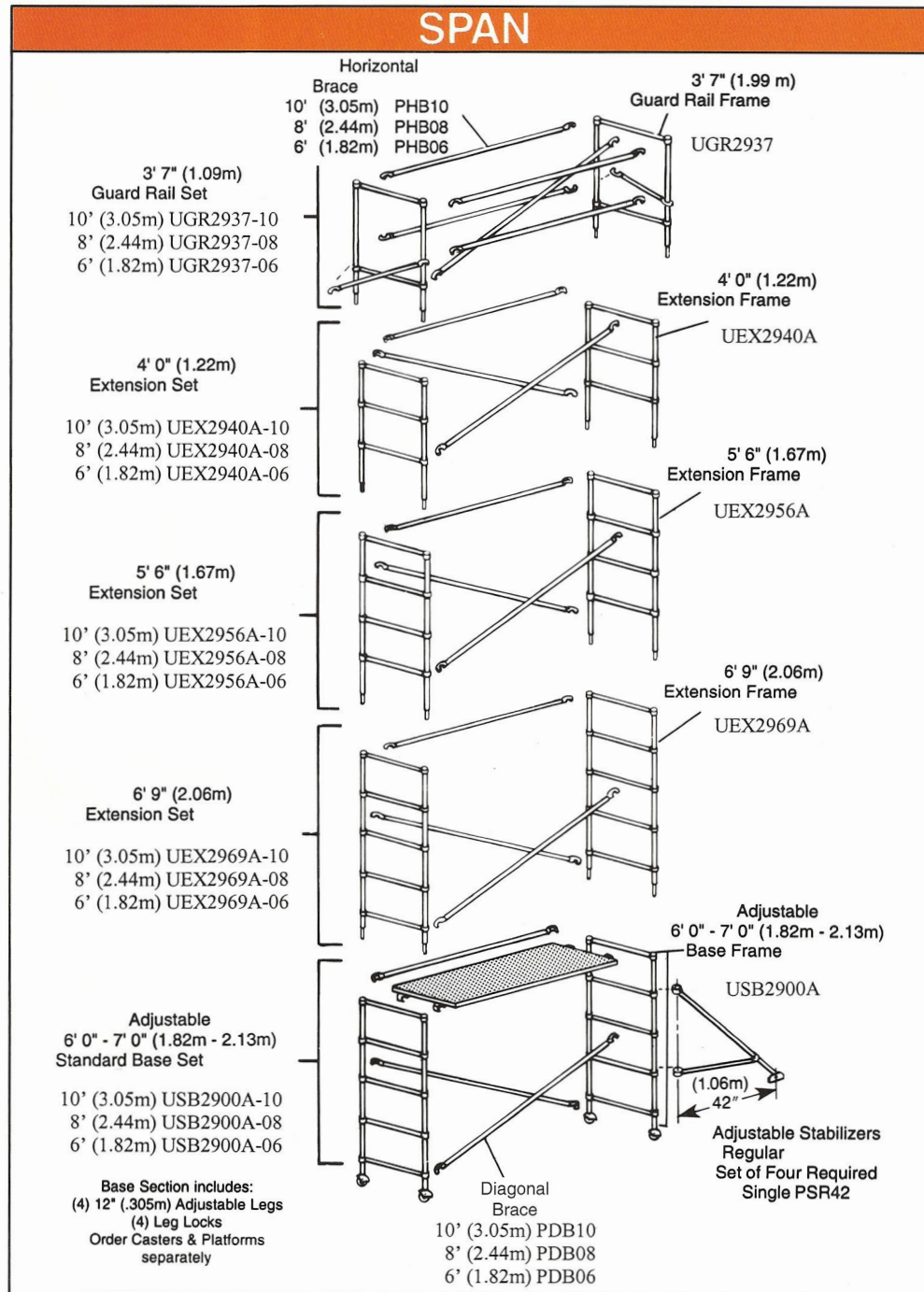
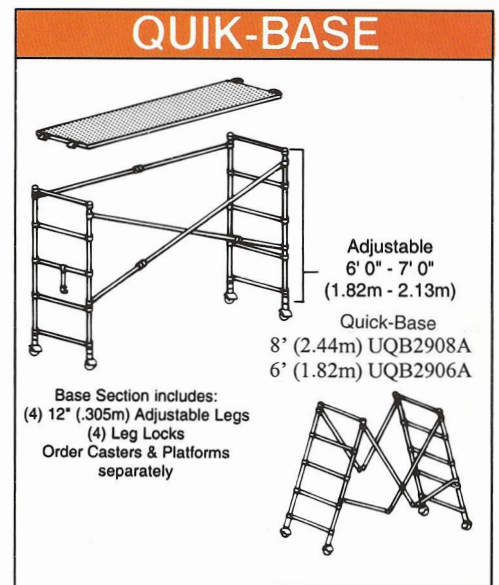


NARROW WIDTH 29" (.736m)

SPAN



QUIK-BASE



HIGH CLEARANCE



FIBERGLASS SCAFFOLD
 REACH HIGHER, WORK SAFER

1-877-697-2233

sales@fiberglasscaffold.com

HOW TO READ NUMBER CODES

FOR BASE SECTIONS, EXTENSIONS, END FRAMES, AND GUARD RAILS

For example UEX5456A-06 means:

Scaffold Line	Scaffold Type	Scaffold Width	Frame Height	Scaffold Length
U	EX	54	56	06
U - Uni-Tec All Fiberglass	EX = Extension SB = Span Base QB = Quik-Base GR = Guard Rail	29 = Narrow Wide 29" (.736m) 54 = Double Wide 54" (1.37m)	37 - 3' 7" (1.09m) 40 - 4' 0" (1.22m) 56 - 5' 6" (1.67m) 69 - 6' 9" (2.06m)	10 = 10' (3.04m) set 08 = 8' (2.44m) set 06 = 6' (1.82m) set

A - Made for American Market