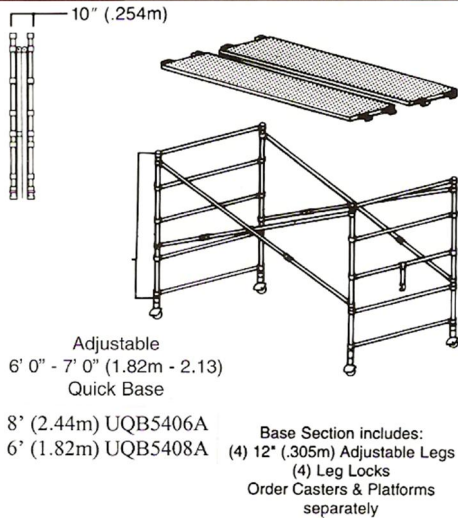
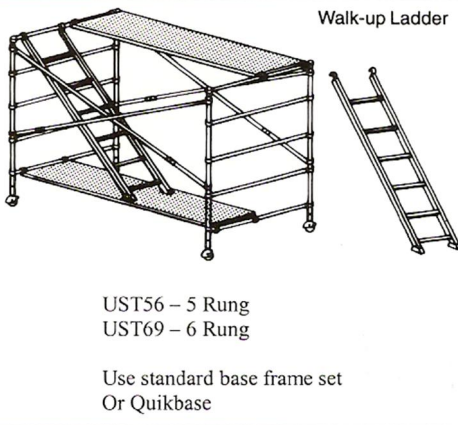


DOUBLE WIDTH 54" (1.37m)

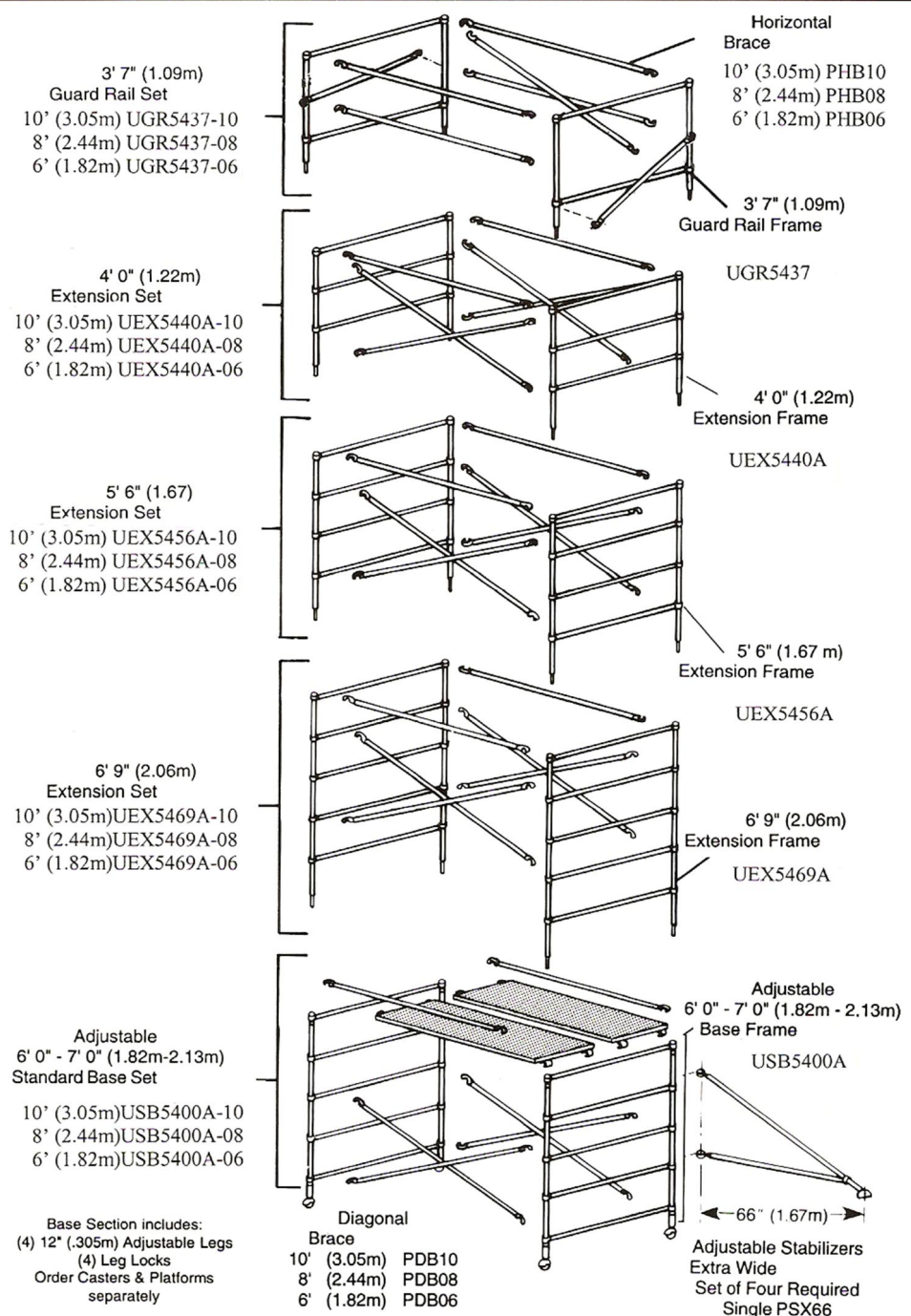
QUIK-BASE



WALK-UP



SPAN



1-877-697-2233

sales@fiberglasscaffold.com

HOW TO READ NUMBER CODES

FOR BASE SECTIONS, EXTENSIONS, END FRAMES, AND GUARD RAILS

For example UEX5456A-06 means:

| Scaffold Line | Scaffold Type | Scaffold Width | Frame Height | Scaffold Length |
|-------------------------------|---|--|--|--|
| U | EX | 54 | 56 | 06 |
| U - Uni-Tec All Fiberglass | EX = Extension SB = Span Base QB = Quik-Base GR = Guard Rail | 29 = Narrow Wide 29" (.736m) 54 = Double Wide 54" (1.37m) | 37 - 3' 7" (1.09m) 40 - 4' 0" (1.22m) 56 - 5' 6" (1.67m) 69 - 6' 9" (2.06m) | 10 = 10' (3.04m) set 08 = 8' (2.44m) set 06 = 6' (1.82m) set |