

# FIBERGLASS SCAFFOLD

REACH HIGHER, WORK SAFER

## UNITEC CON SPAN 400

1-877-697-2233

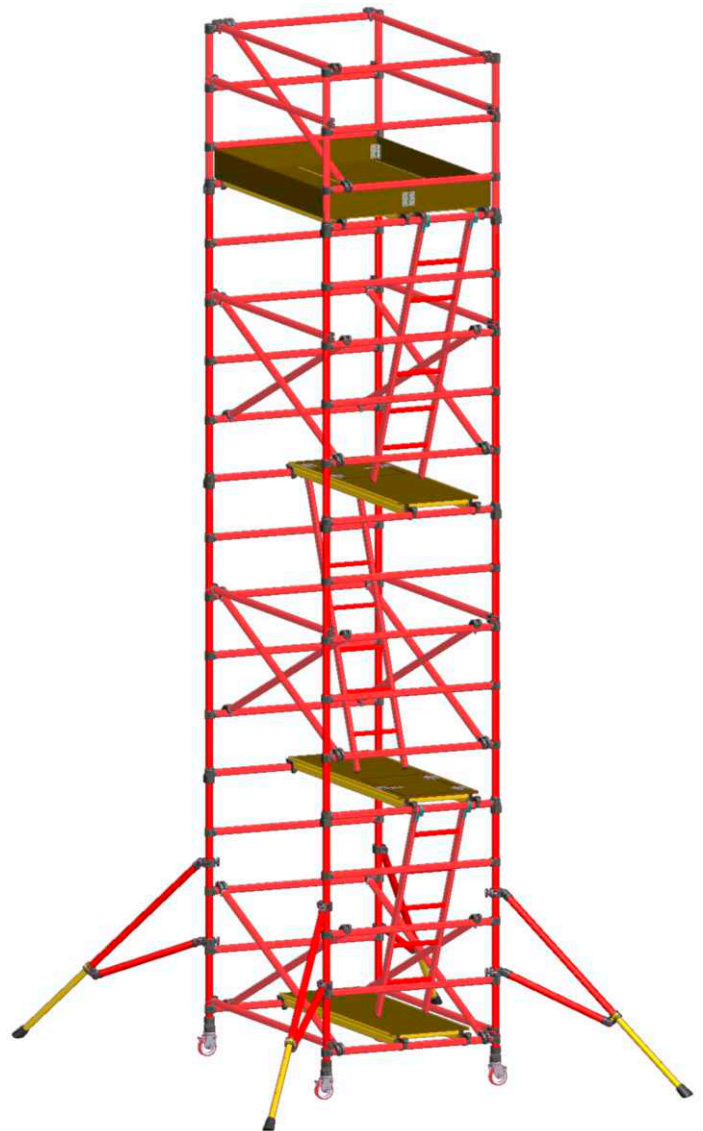
Ideal for maintenance operations near power lines, or in environments with high chemical and oxidative aggressiveness and risk areas

Designed to meet Work at Height Regulations

Suitable for Electrical Applications

CERTIFIED:  
DIN EN 1004:2005-05  
ANSI A10.8  
CAN/CSA-S269.2-M87

SERIES:  
29"/0,73m Narrow Width  
54"/1,37m Double Width  
6'-8'-10'/2,00-2,50-3,00m Length



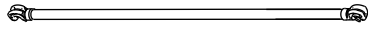
[www.fiberglassscaffold.com](http://www.fiberglassscaffold.com)

# COMPONENTS

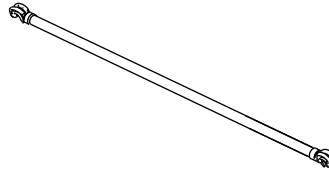
Base Plate  
cod. BP00



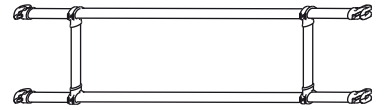
Castor sizes:  
cod. 93633 Ø 127mm  
cod. 62152 Ø 203mm



Horizontal brace lengths:  
2,00m cod. UHB06  
2,50m cod. UHB08  
3,05m cod. UHB10

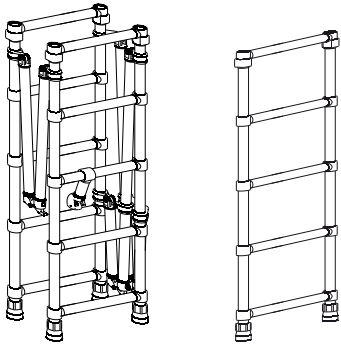


Diagonal brace lengths:  
2,00m cod. UDB06  
2,50m cod. UDB08  
3,05m cod. UDB10



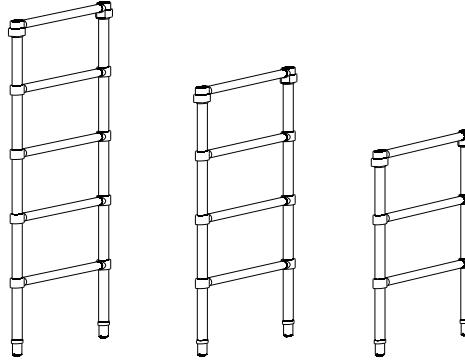
Handrail frame lengths :  
2,00m cod. U24342 06  
2,50m cod. U23996 08  
3,05m cod. U14997 10

Narrow Base Frames



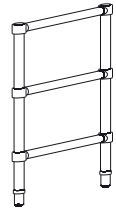
cod. UQB2906A  
cod. UQB2908A  
cod. USB2900A

Narrow Extension Frames



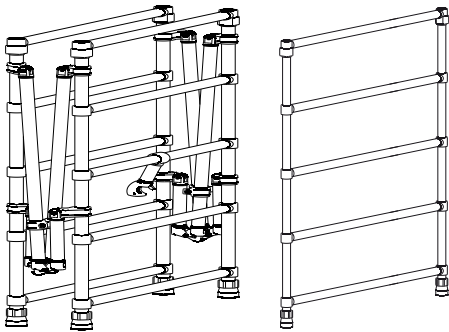
cod. UEX2969A  
cod. UEX2956A  
cod. UEX2940A

Narrow Guardrail Frames



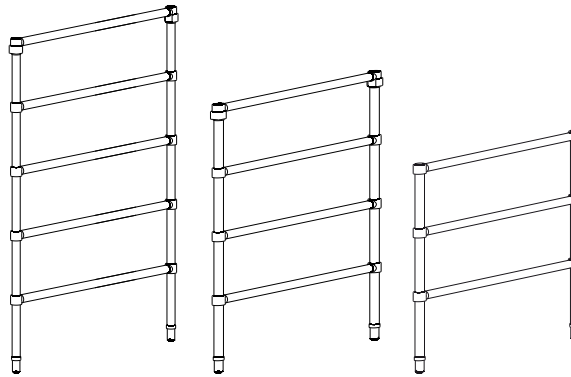
cod. UGR2937

Double Base Frames



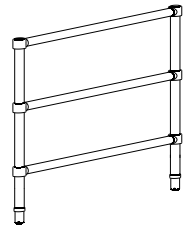
cod. UQB5406A  
cod. UQB5408A  
cod. USB5400A

Double Extension Frames

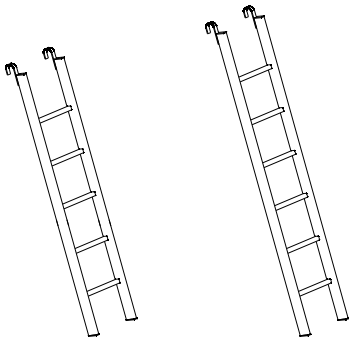


cod. UEX5469A  
cod. UEX5456A  
cod. UEX5440A

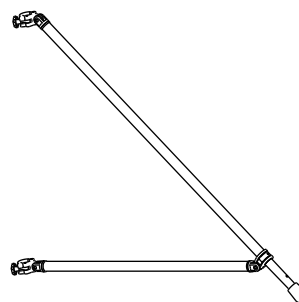
Double Guardrail Frame



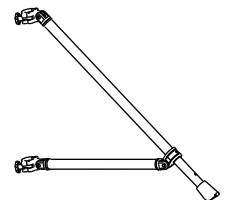
cod. UEX5437



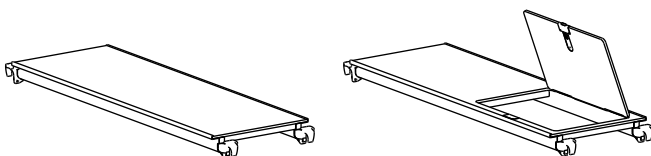
cod. UST56  
cod. UST69



Large Outrigger  
cod. PSX66 GRP

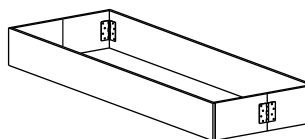


Medium Outrigger  
cod. PSR42 GRP

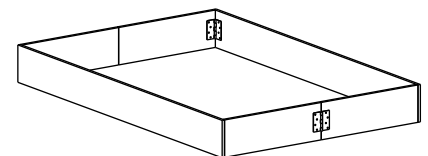


Standard platform lengths:  
2,00m - cod. USP06-61  
2,50m - cod. USP08-61  
2,00m - cod. ASP06-61  
2,50m - cod. ASP08-61  
3,05m - cod. ASP10-61

Hatch platform lengths:  
2,00m - cod. UHP06  
2,50m - cod. UHP08  
2,00m - cod. AHP06  
2,50m - cod. AHP08  
3,05m - cod. AHP10



Narrow Toeboard lengths:  
2,00m cod. WTB2906  
2,50m cod. WTB2908  
2,00m cod. ATB2906  
2,50m cod. ATB2908  
3,05m cod. ATB2910



Double Toeboard lengths:  
2,00m cod. WTB5406  
2,50m cod. WTB5408  
2,00m cod. ATB5406  
2,50m cod. ATB5408  
3,05m cod. ATB5410