
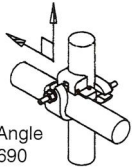
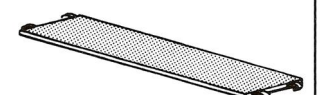

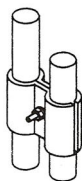
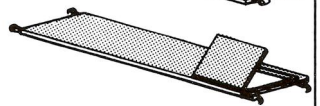

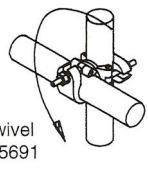
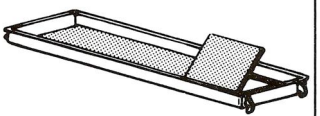
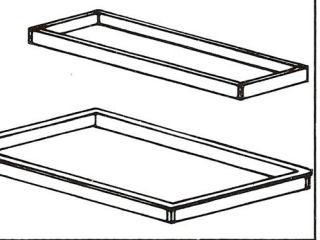


CASTERS • COUPLERS • PLATFORMS


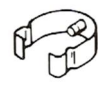

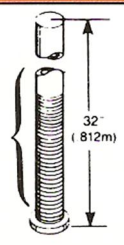
 <p>Base Plate Set of Four Required Single PBP00</p>	 <p>Right Angle P15690</p>	<p>Standard Platform 10' (3.05m) PSP10 8' (2.44m) PSP08 6' (1.82m) PSP06</p>	
 <p>5" (127mm) Caster Set of Four Required Single PCA05</p>	 <p>Parallel P23851</p>	<p>Hatch Platform 10' (3.05m) PHP10 8' (2.44m) PHP08 6' (1.82m) PHP06</p>	
 <p>8" (203mm) Caster Set of Four Required Single PCA08</p>	 <p>Swivel P15691</p>	<p>29" (.736) Wide Toeboard Sets 10' (3.05m) PTB2910 8' (2.44m) PTB2908 6' (1.82m) PTB2906</p>	
			<p>54" (1.37m) Wide Toeboard Sets 10' (3.05m) PTB5410 8' (2.44m) PTB5408 6' (1.82m) PTB5406</p> 



1-877-697-2233

sales@fiberglasscaffold.com

PINS • LEG LOCK • ADJUSTABLE LEG

			
<p>Long Pin Clip P14595</p>	<p>Short Pin Clip P14650</p>	<p>Leg Lock P14658</p>	<p>Adjustable Leg P14684</p> <p>12" (.305m) } 32" (.812m)</p>

HOW TO READ NUMBER CODES

FOR BASE SECTIONS, EXTENSIONS, END FRAMES, AND GUARD RAILS

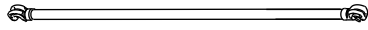
For example UEX5456A-06 means:

Scaffold Line	Scaffold Type	Scaffold Width	Frame Height	Scaffold Length
U	EX	54	56	06
U – Uni-Tec All Fiberglass	EX = Extension SB = Span Base QB = Quik-Base GR = Guard Rail	29 = Narrow Wide 29" (.736m) 54 = Double Wide 54" (1.37m)	37 - 3' 7" (1.09m) 40 - 4' 0" (1.22m) 56 - 5' 6" (1.67m) 69 - 6' 9" (2.06m)	10 = 10' (3.04m) set 08 = 8' (2.44m) set 06 = 6' (1.82m) set
A				
A – Made for American Market				

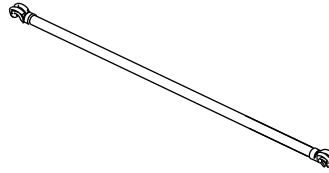
COMPONENTS



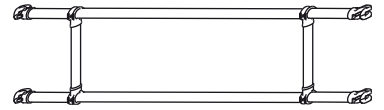
Base Plate
cod. BP00



Horizontal brace lengths:
2,00m cod. UHB06
2,50m cod. UHB08
3,05m cod. UHB10



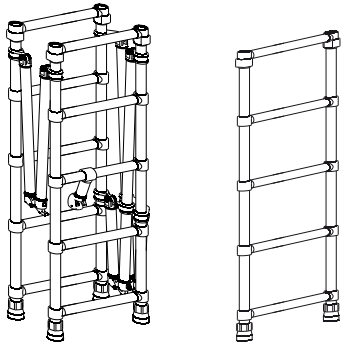
Diagonal brace lengths:
2,00m cod. UDB06
2,50m cod. UDB08
3,05m cod. UDB10



Handrail frame lengths :
2,00m cod. U24342 06
2,50m cod. U23996 08
3,05m cod. U14997 10

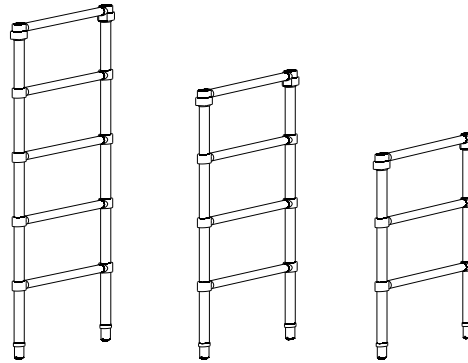
Castor sizes:
cod. 93633 Ø 127mm
cod. 62152 Ø 203mm

Narrow Base Frames



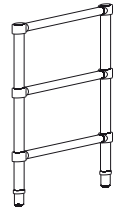
cod. UQB2906A
cod. UQB2908A
cod. USB2900A

Narrow Extension Frames



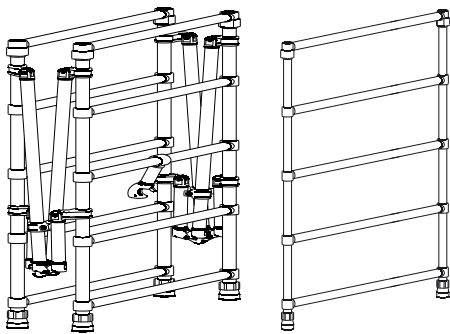
cod. UEX2969A
cod. UEX2956A
cod. UEX2940A

Narrow Guardrail Frames



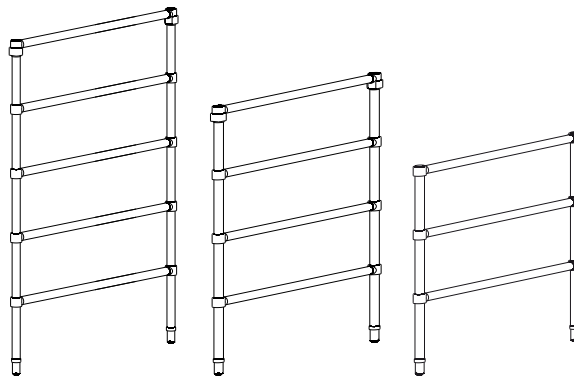
cod. UGR2937

Double Base Frames



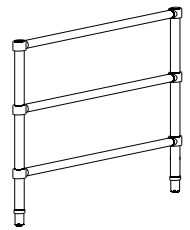
cod. UQB5406A
cod. UQB5408A
cod. USB5400A

Double Extension Frames

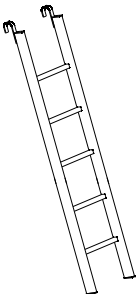


cod. UEX5469A
cod. UEX5456A
cod. UEX5440A

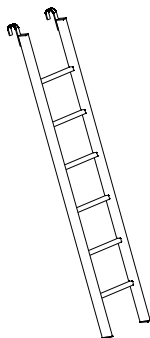
Double Guardrail Frame



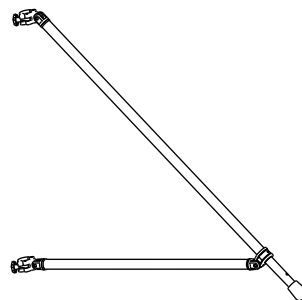
cod. UEX5437



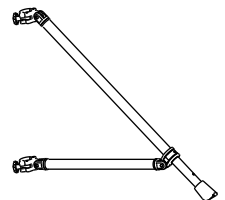
cod. UST56



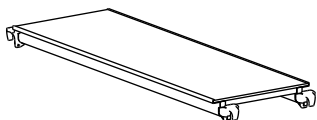
cod. UST69



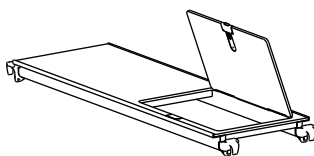
Large Outrigger
cod. PSX66 GRP



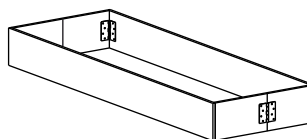
Medium Outrigger
cod. PSR42 GRP



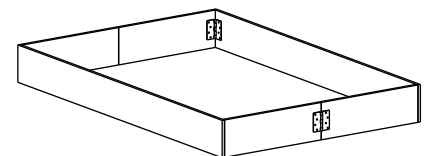
Standard platform lengths:
2,00m – cod. USP06-61
2,50m – cod. USP08-61
2,00m – cod. ASP06-61
2,50m – cod. ASP08-61
3,05m – cod. ASP10-61



Hatch platform lengths:
2,00m – cod. UHP06
2,50m – cod. UHP08
2,00m – cod. AHP06
2,50m – cod. AHP08
3,05m – cod. AHP10



Narrow Toeboard lengths:
2,00m cod. WTB2906
2,50m cod. WTB2908
2,00m cod. ATB2906
2,50m cod. ATB2908
3,05m cod. ATB2910



Double Toeboard lengths:
2,00m cod. WTB5406
2,50m cod. WTB5408
2,00m cod. ATB5406
2,50m cod. ATB5408
3,05m cod. ATB5410